

FaxFinder™

V.34 Fax Server



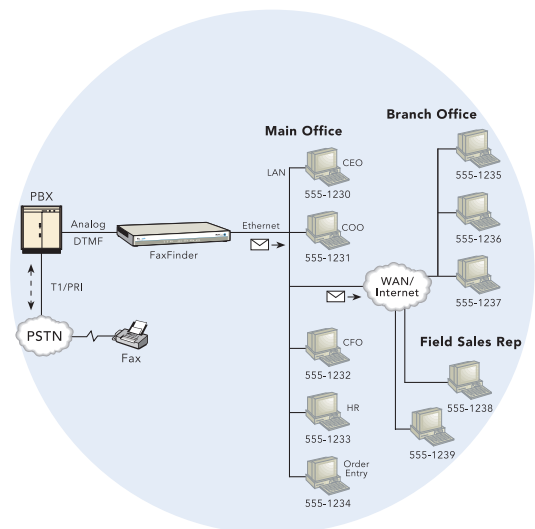
The FaxFinder™ fax server is a turnkey desktop or rackmountable solution that connects to an analog port(s) of a PBX capable of DID to DTMF conversion. It converts faxes to TIFF files allowing you to receive faxes wherever you are as e-mails and send faxes from any application that can print. The solution provides distributed faxing capabilities, over a WAN, from a corporate office to small remote offices as well as to field sales people. In addition, it provides secure, convenient faxing for LAN users offering a high degree of privacy for both the sender and recipient.

Features

- 1-, 2-, 4- and 8-port models
- Utilizes DTMF to route faxes to e-mail
- Faxes converted to TIFF files
- Built-in TIFF viewer shows thumbnails, zooms, rotates and flips
- Includes a send fax client compatible with Windows XP, 2000, 2003 and NT (32-bit versions only)
- Build one fax of multiple documents from multiple applications
- Schedule faxes to be sent at a later time
- Faxes are routed to first available FaxFinder fax server
- Super G3 V.34/33.6K fax communication
- MH, MR and MMR compression
- Error Correction Mode (ECM) provides fast and reliable fax transmissions
- Web server interface for system configuration and management
- Window-based manager for easy firmware updates, copying configuration files and phonebook synchronization
- E-mail informs user of failed transmission
- Connects to 10/100BaseT Ethernet
- Two-year warranty

Benefits

- Sends, receives and routes faxes to/from the desktop
- Distributed fax solution for remote offices and field sales people
- Secure, convenient faxing for LAN users
- Completes unified messaging solutions



Highlights

Faxes Routed Directly to the Desktop. Many PBX's and key telephone systems use Direct Inward Dialing (DID), Digital DID, or Dialed Number Identification Service (DNIS) provided by a T1 or E1 for direct dialing to internal extensions. Unused numbers from these lines can be used for fax numbers, providing employees with their own individual fax number. When a call is received, the PBX converts the number into DTMF tones and sends it to the fax server. The fax server answers the call, receives the fax, converts it to a TIFF file, attaches it to an e-mail, and sends it to the correct recipient. Once received, users can view, print or forward the fax as an e-mail to another e-mail user.

Fax Security. With the FaxFinder fax server, a small business can afford to provide the CEO, President, CFO, COO, Human Resources and others with virtual private fax lines. Because faxes are delivered directly to the user's e-mail box, it offers a high degree of security for both the sender and the recipient.

Fax Completes Unified Messaging. Some PBX solutions deliver voice mail to a user's e-mail box. Many, however, don't offer a fax solution. The FaxFinder fax server fills this gap and completes the unified messaging solution by delivering faxes to one inbox. In addition, by taking headquarters fax functionality and pushing it out to your mobile sales force and remote locations, you enable access to information from any location.

Sending Faxes. The FaxFinder fax server client software allows the user to compose a fax from any application that utilizes a printer. To send, the user simply "prints" the document to the software, selects a cover page (or creates their own) and enters a destination telephone number for the fax. The client software forwards the fax to the fax server, and it gets sent out via the PBX. The user can build one fax of multiple documents from multiple applications, as well as schedule faxes to be sent at a later time.

Configuration and Management. The FaxFinder fax server web interface provides for easy set-up and configuration. In addition, it provides the ability to view the current status of fax lines as well as a history of past fax activity. E-mails inform the user of a failed transmission. Also included is Windows-based management software that allows the administrator to easily update the modem and server firmware. In addition, it allows the administrator to save/copy/restore configuration files from one fax server unit to another as well as synchronize phonebooks saving time on installation.

Enhanced Fax Features. The FaxFinder fax server utilizes Super G3 V.34 fax speeds of 33.6K bps, more than double the speed of V.17/14.4K bps fax. Support for error correction mode (ECM) ensures error free faxing.

Specifications

Fax

Standards: V.34, V.17, V.29, V.27ter, V.21, T.30, T.30 Annex A, T.30 Annex F

Rates: 33.6K, 31.2K, 28.8K, 26.4K, 24K, 21.6K, 19.2K, 16.8K, 14.4K, 12K, 9600, 7200, 4800, 2400, 300 bps

Error Correction: ECM

Compression: MH (T.4), MR (T.4), & MMR (T.6)

Connectors

1 or 2 RJ-11 line jack(s) depending on model
RJ-45 Ethernet connection (10/100 BaseT)

Physical Description

1-Port: 4.3" w x 2.4" h x 0.94" d; 4.5 oz.
(11 cm x 6.1 cm x 2.4 cm; .14 Kg)

2-Port: 4.25" w x 1.15" h x 5.8" d; 1.75 lb.
(10.8 cm x 2.9 cm x 14.8 cm; .8 Kg)

4-Port & 8-Port Models: 17.4" w x 3.8" h x 8.0" d; 7.4 lbs.
(44.2 cm x 9.6 cm x 20.3 cm; 3.4 kg)

Power Supply

100-240VAC; 50/60 Hz universal input

Operating Environment

+32° to +120° F (0° to +50° C); relative humidity 20-90% noncondensing

Approvals

CE Mark

EMC: FCC Part 15 Class B, EN 55022, EN 55024

Safety: UL 60950, EN 60950

Telecom: 47CFR Part 68, CS03, TBR21

Other countries also included

Ordering Information

Product	Description	Region
FF100	1-Port V.34 Fax Server	Global
FF200	2-Port V.34 Fax Server	Global
FF420	4-Port V.34 Fax Server	Global
FF820	8-Port V.34 Fax Server	Global

Specify country when ordering.

Made in Mounds View, MN, U.S.A.

Features and specifications are subject to change without notice.

Trademarks / Registered Trademarks: FaxFinder, Multi-Tech, and the Multi-Tech logo: Multi-Tech Systems, Inc. / All other products and technologies are the trademarks or registered trademarks of their respective holders.

World Headquarters
Tel: (763) 785-3500
(800) 328-9717
www.multitech.com

EMEA Headquarters
Multi-Tech Systems (EMEA)
United Kingdom
Tel: +(44) 118-959 7774

Multi-Tech Systems (EMEA)
France
Tel: +(33) 1 64 61 09 81